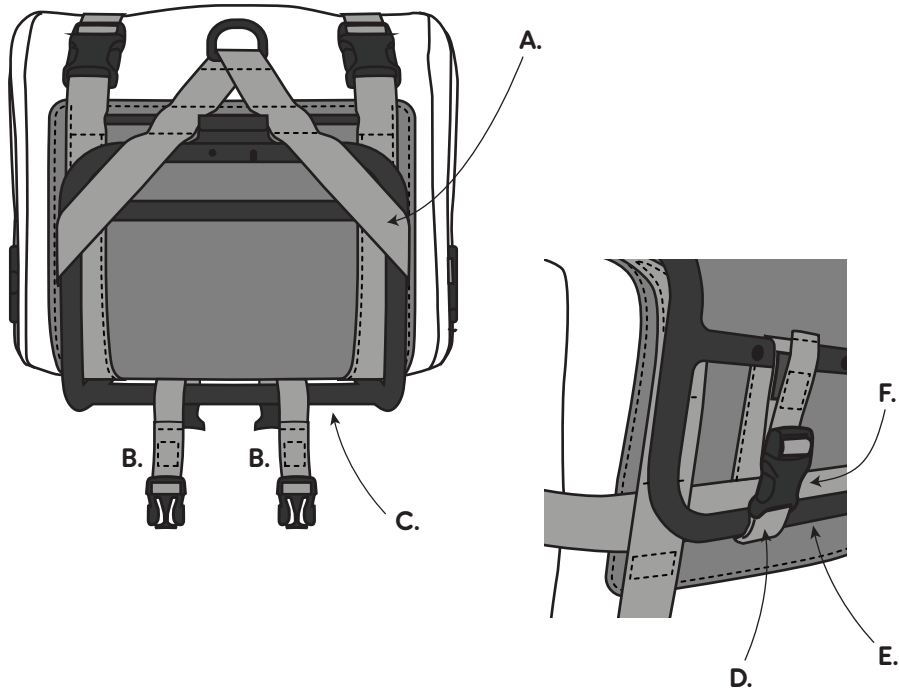


HANDLEBAR ROLLTOP

Mounting instructions

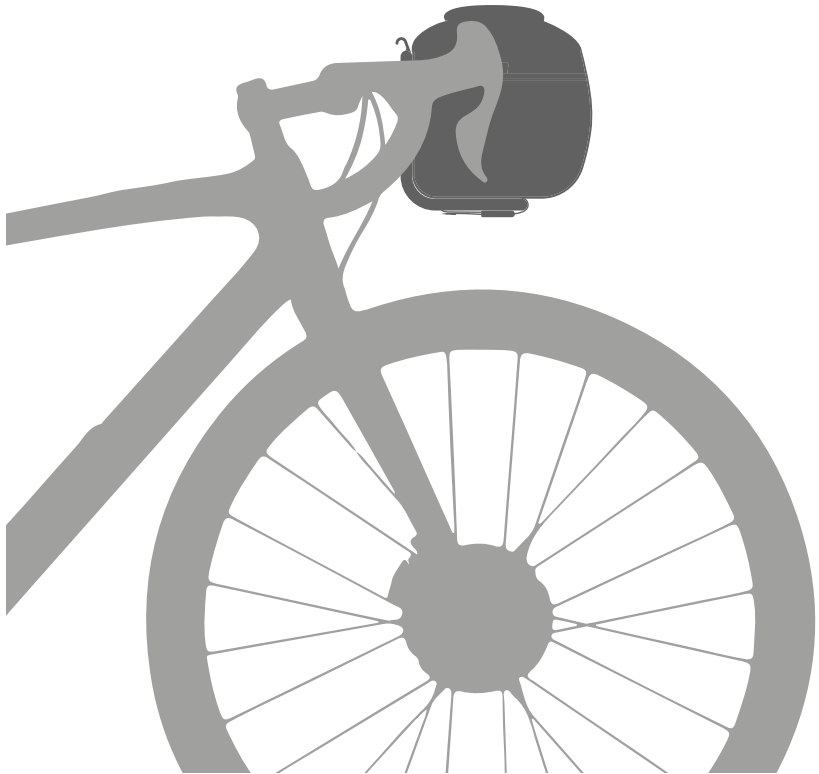


1. Open buckles at bottom of bag.
2. Slide product down with webbing (**A**) over S/F Handlebar Rack. Make sure webbing (**B**) hangs behind rear horizontal tube (**C**) and webbing (**D**) is in front of front horizontal tube (**E**).

3. Secure bag to S/F Handlebar Rack by closing the side release buckles (**F**) and tighten webbing with Velcro firmly.
4. Close Roll Top at the sides (recommended in heavy rain) or at the top.

HANDLEBAR ROLLTOP

Mounting instructions



WARNING! Install, open or access the bags only when the bicycle is not in motion. Doing so while riding can make you lose control and fall and can result in serious injury. **WARNING!** Before riding with any bags, make sure they are securely installed, and all cargo items are securely stored. Failure to do so may result in bags coming loose or items falling out, both of which can make you lose control and fall and can result in serious injury. Adding cargo to your bicycle may affect its handling. Before your first ride, you should practice riding with a cargo bag installed and loaded in a controlled environment away from traffic.